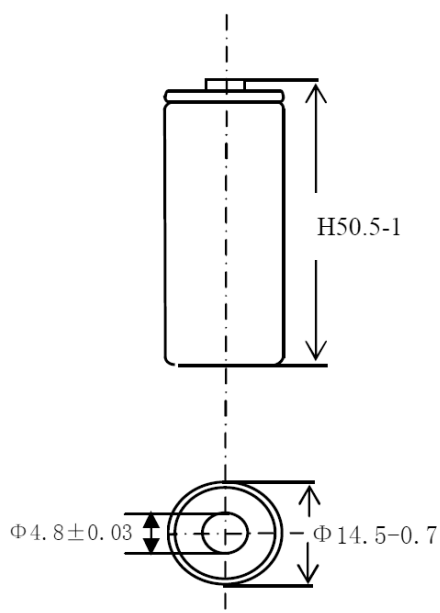




## 'Industrial Alkaline' Battery LR6 AA



<b>Designation IEC:</b>	LR6
<b>Nominal voltage:</b>	1.5V
<b>Designed capacity:</b>	2700 mAh (discharge with high resistance)
<b>Shelf life:</b>	5 years
<b>Weight:</b>	22 g
<b>Dimensions (max):</b>	50.5 x 14.5 mm
<b>Temperature ranges:</b>	long-term storage: -10..35°C application/discharge: -20..50°C
<b>Approved standards:</b>	GB/T 8897.2-2013, GB 8897.5-2013, GB8897.5:IEC 60086-1:2011, IEC 60086-2:2011, IEC 60086-3:2011, IEC 60086-5:2011

### Typical service output (new battery, at 20°C):

Load	Conditions	End Voltage	Time
43Ω	4 h/d	0.9V	82 h
3.9Ω	1 h/d	0.8V	7 h 10 min.
3.9Ω	24 h/d	0.9V	6 h

